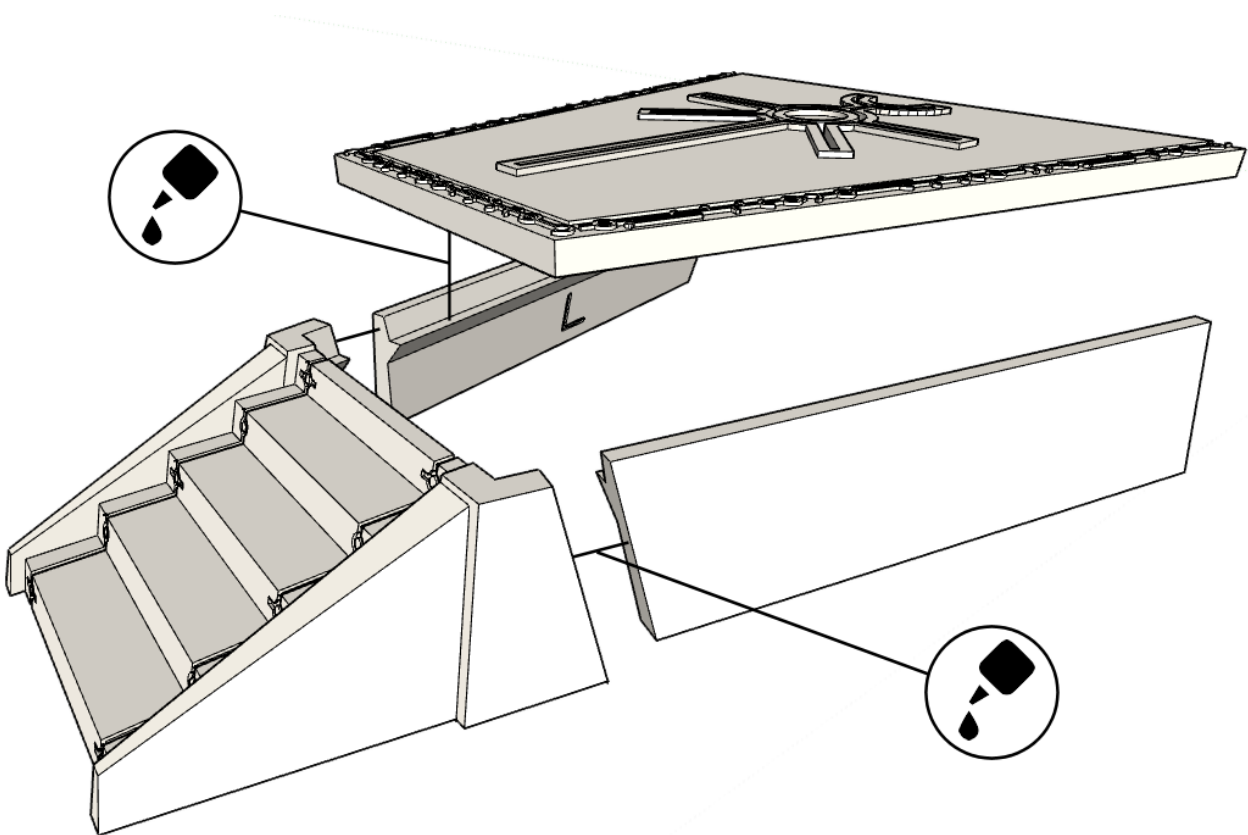


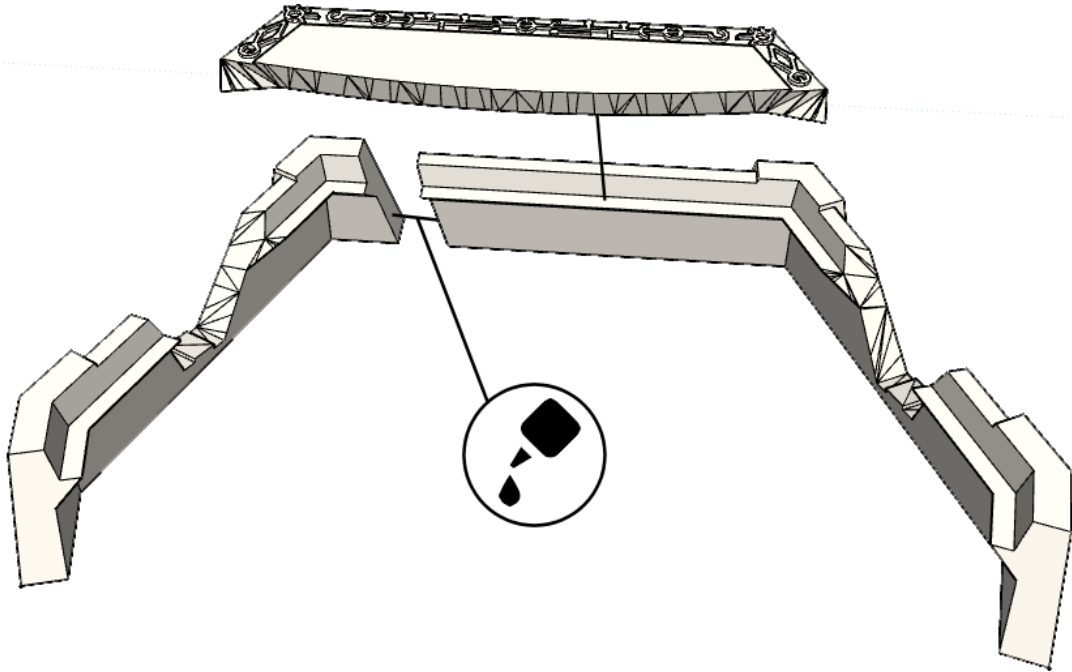


NECRONTYR WARP PORTAL

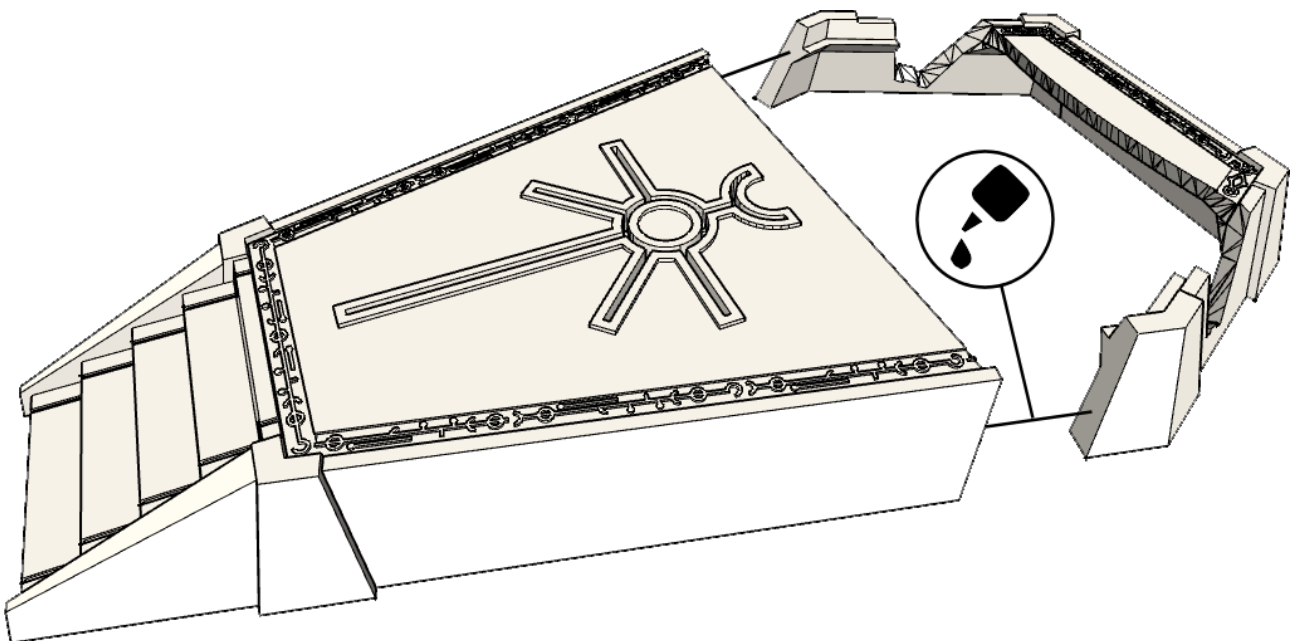
- ① *Warp-steps.STL*
Warp-sides.STL
Warp-floor_solid.STL **OR** *Warp-floor_cutout.STL*



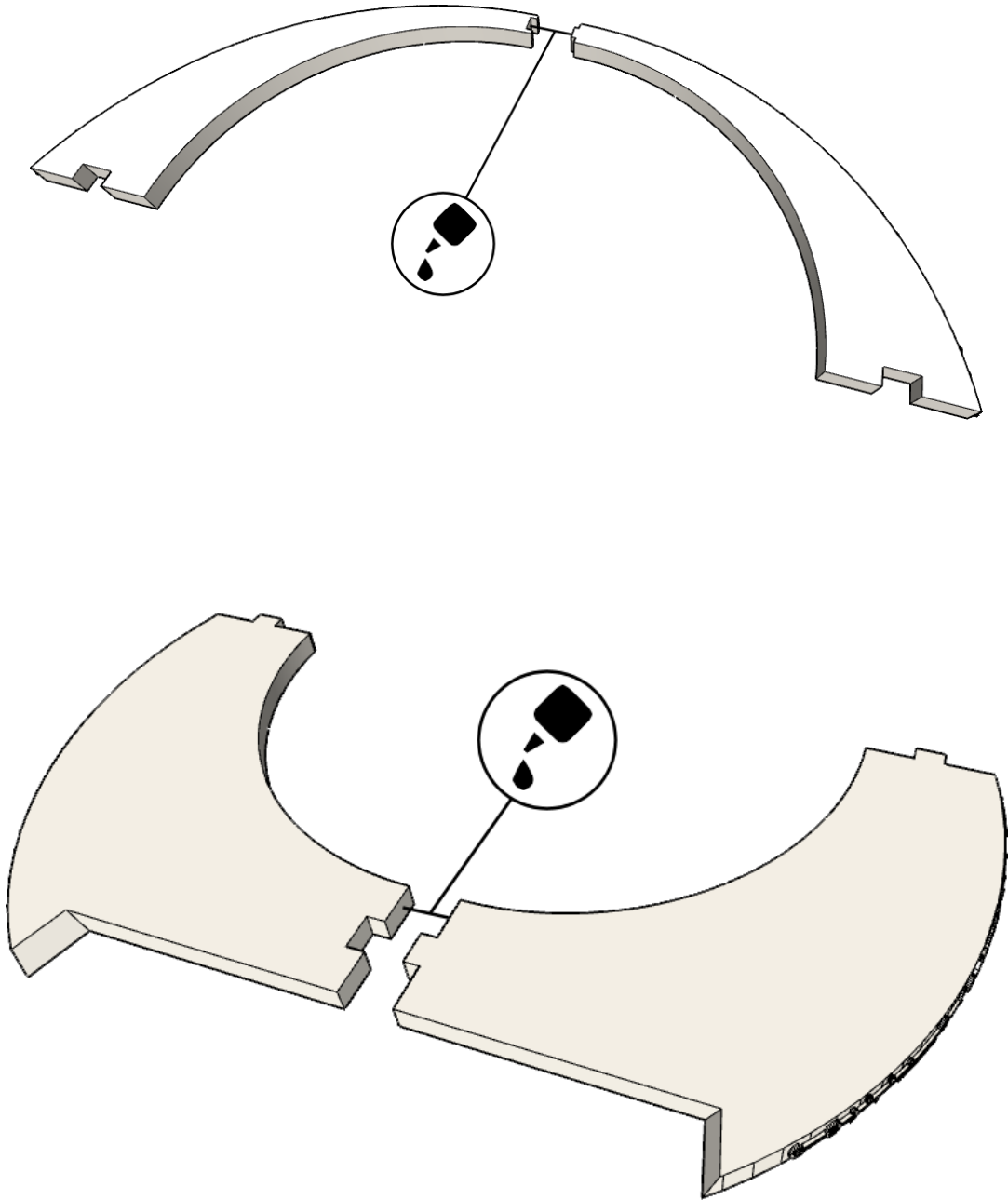
- ② *Warp-rearA.STL*
Warp-rearB.STL
Warp-floor_rear.STL



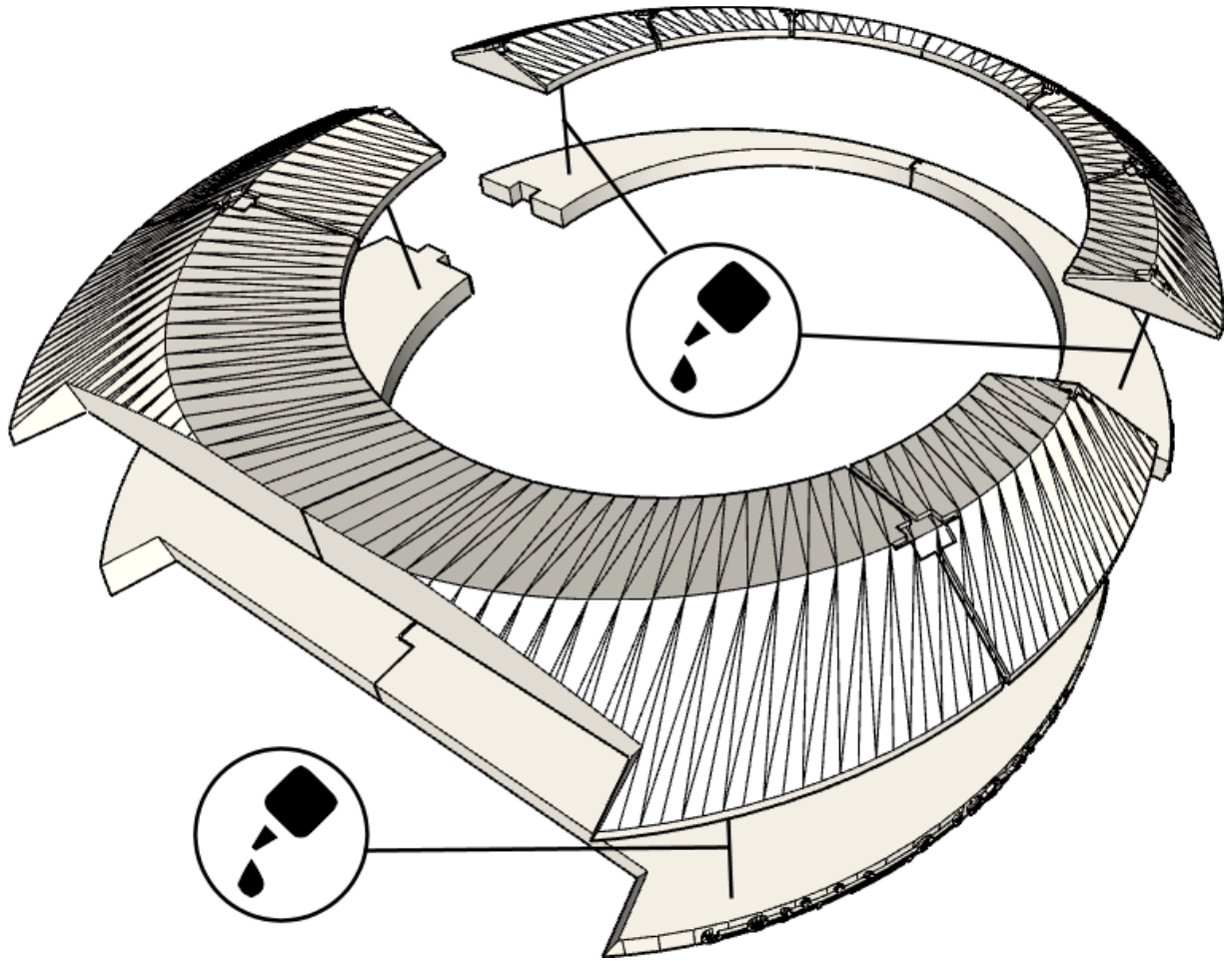
- ③ Glue front to rear



④ *Warp-ring1L.STL*
Warp-ring1R.STL

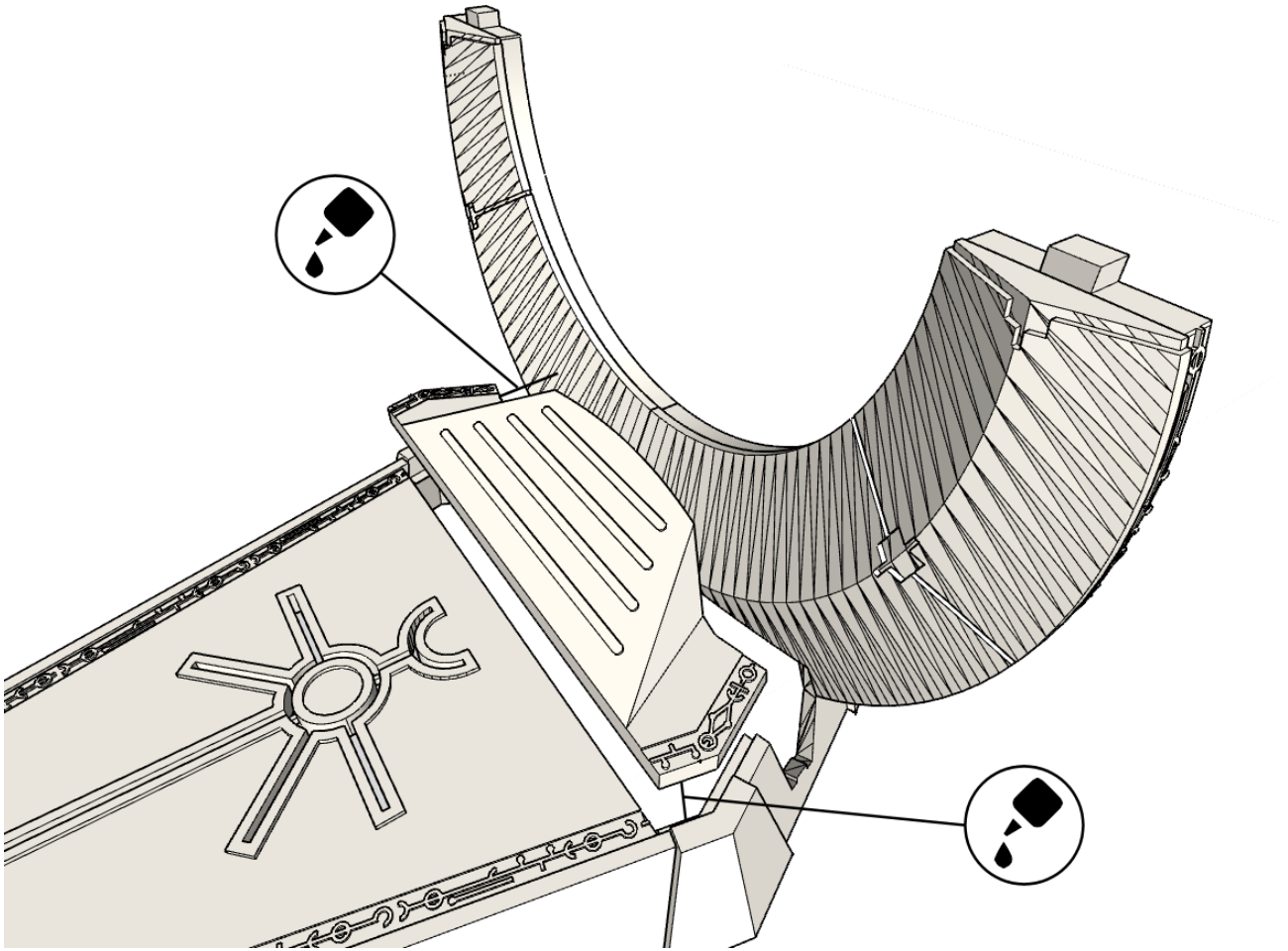


⑤ *Warp-ring2L.STL*
Warp-ring2R.STL



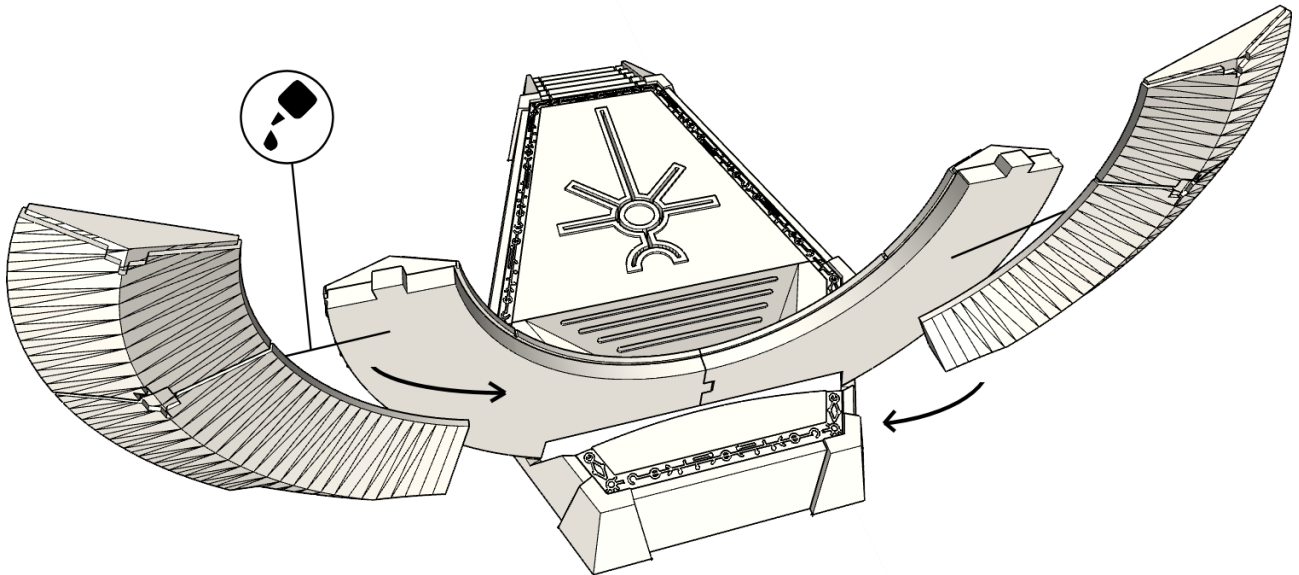
⑥ *Warp-floor_slope.STL*

Glue front lower portal to base



- ⑦ *Warp-ring3L.STL*
Warp-ring3R.STL

Rotate and slide in:



- ⑧ *Warp-disc.STL* (add colour JPGs)

OR

Warp-ripple.STL x2